



Main Features

- Modern, ergonomic, user-friendly and operated comfortably
- Multi channels deadman switch and E-Stop button
- Full IP65 protection
- 10.1" WXGA 1280 x 800 500 nits LED panel
- 10 points projected capacitive touch with full IP65 protection
- Two external USB 3.0 for data backup
- An emergency-stop button is available as further safety element
- Anti-vibration/shock IEC/EN 61131-2 compliance
- EMC (IEC/EN 61000-6-2/4, IEC/EN 61131-2) compliance
- Very light weight ($\leq 1.5\text{Kg}$) in fanless PC model

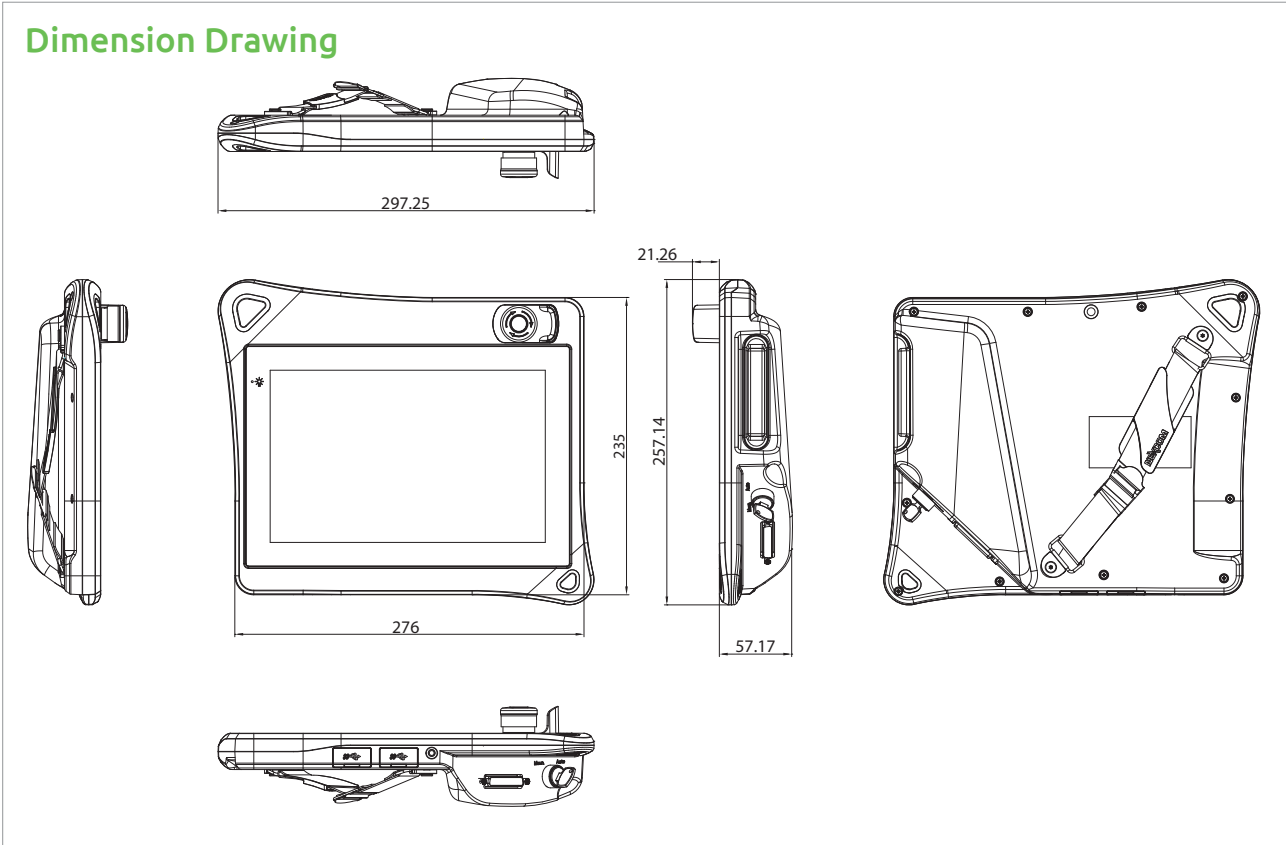
Product Overview

TP-100 is a handheld operating teach pendant features an ergonomic housing with a safety elements, 10.1" WXGA resolution panel, multi-touch P-Cap touch and high performance Intel® Atom™ processor computer. The handheld control unit is greatest comfortable to used and also support left-hander with optional shoulder strap.

Specifications

Technical Data	TP-100	Technical Data	TP-100
Panel	<ul style="list-style-type: none"> - 10.1", 16:10, WXGA, 1280 x 800 - Luminance: 500cd/m² - Contrast ratio: 800:1 - LCD color: 16.7M - Viewing angle: 85 (U), 85 (D), 85 (L), 85 (R) - Backlight: LED 	Interface	<ul style="list-style-type: none"> - Data back-up: 2x USB 3.0 - Control connector: HDB-44 Female <ul style="list-style-type: none"> › Removable HDB-44 Control Cable (optional) › Including power, E-stop buttons, deadman switch, key switch and Giga LAN signals
Touch	<ul style="list-style-type: none"> - Touch: 10 points P-Cap - Touch light transmission: 87% - Touch interface: USB - Anti-scratch surface: 7H hardness 	Ratings	<ul style="list-style-type: none"> - Power supply voltage: 24 Vdc (19.2 to 28.8 Vdc) - Current consumption: 0.76A at 24Vdc (max.)
Safety Elements	<ul style="list-style-type: none"> - Emergency stop button (2 NC channels, B10d=130,000) <ul style="list-style-type: none"> › Contact function: latching › Reset: by rotating - 3-position deadman switch (3 channels 2 NO & 1 NC, B10d=100,000) 	Mechanical	<ul style="list-style-type: none"> - Dimension: 297.3 x 257.2 x 57.2 mm (78.5mm including E-stop button) - Weight (without external control cable): 1.45Kg - Front bezel: aluminum magnesium alloy; color: Pantone 8424C - Back cover: ABS+PC; color: Pantone 432C - IP protection class: Full IP65
Operating Elements	<ul style="list-style-type: none"> - 2-position key switch (2 channels) 	Environment	<ul style="list-style-type: none"> - Operating temperature: 0°C to 45°C - Storage temperature: -20°C to 75°C - Operating humidity: 5%~90% relative humidity, non-condensing - Vibration resistance/shock-proof/ free-fall according to EN 61131-2
System	<ul style="list-style-type: none"> - Processor: Intel® Atom™ E3826 - Memory: 32GB eMMC - RAM: 4GB DDR3L Full IP65 protection - Communication interface: <ul style="list-style-type: none"> › Ethernet 10/100/1000 Mbit/s › LAN chip: dual Intel® I210IT Gigabit LAN - Expansion: 1 x mini-PCIe sockets (support optional Wi-Fi/NVRAM/mSATA storage) - 5MP camera - OS support list: Windows 8.1 32/64-bit, Windows 7 32/64-bit 	Certifications	<ul style="list-style-type: none"> - CE (Emission EN61000-6-4; Immunity EN61000-6-2 for installation in industrial environments) - FCC Class A

Dimension Drawing



Function and Ergonomic Design

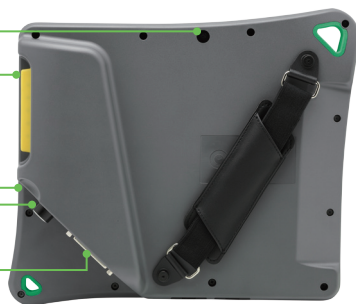
5MP camera

Deadman switch

Finger holding point for being comfortable

Manual/ auto. 2 segment key switch

HDB-44 external control cable connector



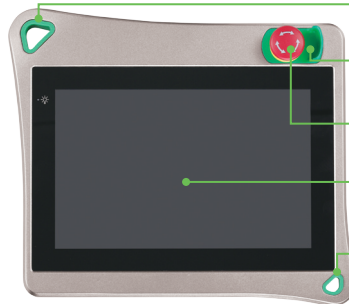
Holes for optional shoulder strap

Protect cover

Emergency stop button

10.1" P-Cap touch

Holes for optional shoulder strap



HDB-44 Pin Definition

44-Pin	Function	44-Pin	Function	44-Pin	Function	44-Pin	Function
1	Shielding	12	DS_NO_2-A	23	LAN_M2_N	34	Shielding
2	DC Power+	13	DS_NO_2-B	24	LAN_M3_N	35	LAN_M0_P
3	DC Power-	14	DS_NC_3-A	25	RESERVED	36	LAN_M1_P
4	ES_NC_1-A	15	DS_NC_3-B	26	RESERVED	37	LAN_M2_P
5	ES_NC_1-B	16	KS_NC_1-A	27	RESERVED	38	LAN_M3_P
6	ES_NC_2-A	17	KS_NC_1-B	28	RESERVED	39	RESERVED
7	ES_NC_2-B	18	KS_NC_2-A	29	RESERVED	40	RESERVED
8	RESERVED	19	KS_NC_2-B	30	RESERVED	41	RESERVED
9	RESERVED	20	RESERVED	31	RESERVED	42	RESERVED
10	DS_NO_1-A	21	LAN_M0_N	32	RESERVED	43	RESERVED
11	DS_NO_1-B	22	LAN_M1_N	33	Shielding	44	RESERVED

Ordering Information

Barebone

- **TP-100 (P/N: 10IH0010003X0)**
10.1" 16:10 WXGA P-Cap multi-touch teach pendant, PC embedded, Intel® Atom™ Dual Core E3826